

2020

OUTBACK



Welcome to the all-new Subaru Outback. **Go where love takes you.**





Inspiring out-of-office memos since '95.

Welcome the all-new 2020 Outback. Our best ever.

A change of scenery isn't just about a different location. It's about a different perspective—something the Outback has offered for the past 25 years. In 2020, the Outback philosophy remains, but its technologies are further advanced, from safety features that can watch the road to systems that keep you connected as you explore. With the capability of its Subaru engineering, you might just want to take a personal day. Or two.



Outback Limited in Tungsten Metallic with optional equipment.

1 EPA-estimated fuel economy for 2020 Outback 2.5L models at 33 highway mpg. Actual mileage may vary. 2 Comparison based on competitor information from manufacturer websites for 2019 model-year vehicles within the IHS Markit Non-Luxury CUV segment and current at time of printing. 3 Availability varies by model. See your retailer for details. 4 Based on IHS Markit vehicles in operation as of December 2018 for MY2009–2018 vs. total new registrations of those vehicles. 5 EyeSight™ is a driver assist technology, which may not operate optimally under all driving conditions. The driver is always responsible for safe and attentive driving. System effectiveness depends on many factors such as vehicle maintenance, weather and road conditions. See Owner's Manual for complete details on system operations and limitations. 6 The DriverFocus™ Distraction Mitigation System is a driver recognition technology designed to alert drivers if their attention to the road wavers or if the driver's face appears to turn away. The driver is always responsible for safe and attentive driving. System effectiveness may be affected by articles of clothing worn on the head or face. See Owner's Manual for complete details on system operation and limitations. 7 Requires Keyless Access with Push-Button Start and subscription to STARLINK® Safety and Security Plus services. 6-month free trial included. See your retailer for details.

Most Adventurous

No idea is too far-out. With standard Subaru Symmetrical All-Wheel Drive and a new direct-injection SUBARU BOXER® engine, the Outback achieves up to 33 MPG¹—better AWD fuel economy than the Honda Passport, Ford Edge and Jeep Grand Cherokee.² For greater towing capability, there's a turbocharged engine option³ that delivers 260 horsepower.

Most Reliable

Built on the strength of the Subaru Global Platform, the Outback has had years of experience on all types of terrain. Its record speaks for itself—98% of Outback vehicles sold in the last 10 years are still on the road today.⁴

Safest

The Outback takes an active role in helping you stay safe, thanks to innovations such as standard Subaru EyeSight® Driver Assist Technology,⁵ which now includes Advanced Adaptive Cruise Control with Lane Centering. There's also the DriverFocus™ Distraction Mitigation System to help reduce distracted or drowsy driving.^{3,6}

Most Advanced

More options come with more ease in the Outback. A new 11.6-inch touchscreen³ makes it intuitive to find the app you need, while SUBARU STARLINK® Multimedia lets you connect just about anywhere through standard Apple CarPlay® and Android Auto™ integration. Technologies such as Remote Engine Start with Climate Control help make the Outback a place of comfort.^{3,7}



Farther doesn't have
to feel longer.

To keep distances engaging, the Outback delivers far-reaching connectivity. With a new 11.6-inch touchscreen,¹ you have simple, easy access to SUBARU STARLINK® Multimedia, featuring standard Apple CarPlay® and Android Auto™ integration. For passengers, built-in Wi-Fi capability^{1,2} offers a wide range of entertainment possibilities. Once everyone votes on what music to play, the Harman Kardon® premium audio system will bring it to life through 12 speakers and a 576-watt-equivalent amplifier.¹

© 2020 Outback

Outback Touring with Java Brown Nappa Leather.



SUBARU STARLINK® 11.6-inch Multimedia Navigation System¹



Heated Rear Seats and Dual USB Charge Ports¹



Harman Kardon® Premium Audio System¹

Welcoming you, personally.

From the moment you sit behind the wheel, available DriverFocus™ recognizes you and automatically adjusts the Outback to your preferences.^{1,3} This includes driver seat settings, climate controls, side mirrors and even your choices for which vehicle system information appears on the screen.

1 Availability varies by model. See your retailer for details. 2 Activation and subscription required. Internet access is purchased separately through AT&T with monthly, per gigabyte, and unlimited data options available. Existing AT&T customers have the option to add a line to their AT&T Mobile Share plan. See your retailer for details. 3 The DriverFocus™ Distraction Mitigation System is a driver recognition technology designed to alert drivers if their attention to the road wavers or if the driver's face appears to turn away. The driver is always responsible for safe and attentive driving. System effectiveness may be affected by articles of clothing worn on the head or face. See Owner's Manual for complete details on system operation and limitations.

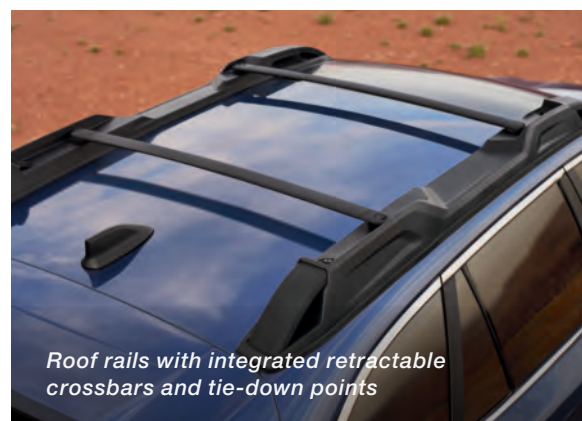
Find a place that makes you forget to take a selfie.

This is what rush hour looks like with standard Subaru Symmetrical All-Wheel Drive. The Outback thrives when pavement is scarce, thanks to standard X-MODE® with Hill Descent Control and a class-leading 8.7 inches of ground clearance.¹ And it handles gear as easily as terrain. Its roof rails with integrated retractable roof crossbars smooth the packing process, while its towing capacity of up to 3,500 pounds² means you can bring all your must-haves—and fun-to-haves, too.



Outback Onyx Edition XT in Abyss Blue Pearl with optional and accessory equipment.

5 | 2020 Outback



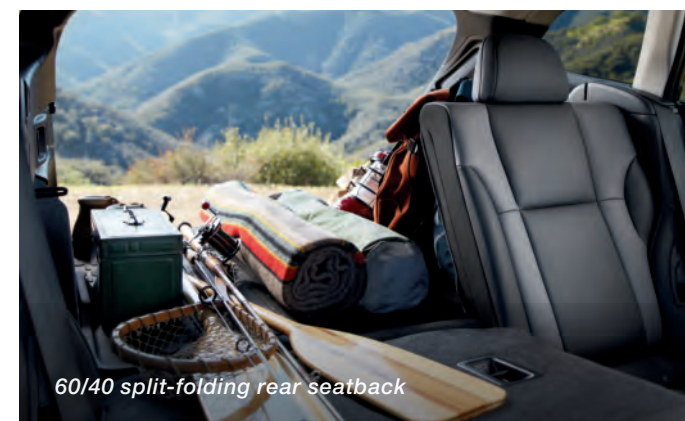
Roof rails with integrated retractable crossbars and tie-down points



8.7 inches of ground clearance



180-Degree Front View Monitor³



60/40 split-folding rear seatback

Onyx Edition XT

Itinerary becomes anywhere in the all-new Outback Onyx Edition XT. A 260-hp turbocharged SUBARU BOXER® engine delivers more power than the Honda CR-V, Toyota Rav4 and Hyundai Santa Fe.¹ An advanced version of the X-MODE® system offers dual-mode capability, letting you take on snow or dirt as well as deep snow or mud. Inside, you have StarTex™ water-repellent upholstery and enhanced visibility with a 180-Degree Front View Monitor. All around, you'll find exclusive touches, from black exterior accents to black 18-inch alloy wheels and even a full-size spare.

¹ Comparison based on competitor information from manufacturer websites for 2019 model-year vehicles within the IHS Markit Non-Luxury CUV segment and current at time of printing.

² Outback XT models only. Trailer brakes may be needed. Some safety features, including X-MODE®, Blind-Spot Detection and Rear Cross-Traffic Alert, may not function properly when towing. See your retailer for details.

³ Availability varies by model. See your retailer for details.



An extra set of eyes every time you drive.

Every Outback includes standard Subaru EyeSight® Driver Assist Technology.¹

Equipped with a comprehensive suite of innovative safety features, EyeSight® looks ahead, alerts you to potential dangers and can even intervene to help you avoid a collision.



Subaru EyeSight® Driver Assist Technology reduces the rate of rear-end crashes with injuries by up to **85%**²

Outback Touring in Abyss Blue Pearl.



Pre-Collision Braking

Can help slow and bring your Outback to a full stop if necessary.



Lane Departure and Sway Warning

Can alert you if you drift to the edge of your lane and begin to cross into another.



Advanced Adaptive Cruise Control with Lane Centering

Automatically helps keep you centered in your lane, at a safe distance behind the car in front of you— even in traffic and around curves.



Pre-Collision Throttle Management

Can reduce engine power to help give you more time to react and to help minimize the possible impact force and frontal impact damage.

Ascent shown.

¹ EyeSight® is a driver assist technology, which may not operate optimally under all driving conditions. The driver is always responsible for safe and attentive driving. System effectiveness depends on many factors such as vehicle maintenance, weather and road conditions. See Owner's Manual for complete details on system operations and limitations. ² Based on data from 2013–2015MY Subaru models equipped with EyeSight through 2014. From an Insurance Institute of Highway Safety report published January 2016.



Every day in the U.S., more than 1,000 people are injured in crashes reported to have involved a distracted driver.¹ As an industry leader in safety, Subaru developed the DriverFocus™ Distraction Mitigation System,^{2,3} one of the first technologies of its kind. Engineered for both new and experienced drivers, it works together with Subaru EyeSight® to help detect distracted or drowsy driving. If the driver's attention strays from the road for too long, DriverFocus™ can deliver visual and auditory alerts to bring attention back to the road.

¹ Centers for Disease Control and Prevention, citing National Center for Statistics and Analysis. Distracted Driving: 2015, in Traffic Safety Research Notes. DOT HS 812 381. March 2017, National Highway Traffic Safety Administration: Washington, D.C. ² The DriverFocus™ Distraction Mitigation System is a driver recognition technology designed to alert drivers if their attention to the road wavers or if the driver's face appears to turn away. The driver is always responsible for safe and attentive driving. System effectiveness may be affected by articles of clothing worn on the head or face. See Owner's Manual for complete details on system operation and limitations. ³ Availability varies by model. See your retailer for details.

Detect, alert, protect.

Advanced Safety Features

The Outback represents the very latest in Subaru safety, down to the strong core of its Subaru Global Platform. For better visibility, there are standard LED headlights with High Beam Assist, available Steering Responsive Headlights¹ and an available 180-Degree Front View Monitor.¹ Peace of mind is possible just about anywhere, thanks to a host of active safety technologies.

Outback Onyx Edition XT in Abyss Blue Pearl with optional and accessory equipment.



Blind-Spot Detection

Using radar sensors, Blind-Spot Detection^{1,2} warns you with a visual indicator on your side mirror if the system detects a vehicle in your blind spot. Another feature of this system, Lane Change Assist, alerts you with a flashing indicator on your side mirror if it senses a vehicle approaching at a higher speed in a neighboring lane.



Rear Cross-Traffic Alert

Rear Cross-Traffic Alert^{1,2} uses radar sensors to help warn you of traffic approaching from the side as you are backing up, utilizing a flashing visual indicator on your side mirror and Rear-Vision Camera display as well as an audible warning.



Reverse Automatic Braking

Reverse Automatic Braking^{1,3} can detect objects directly behind your vehicle when backing up at a low speed and can help bring the Outback to a stop should an object be detected within its range and if the driver fails to act. There's also the Rear-Vision Camera to help you keep an eye out.



SUBARU STARLINK® Safety and Security

The Outback features the latest STARLINK® Safety and Security^{1,4} system, which can alert a first responder in an emergency, help police locate your vehicle if it's stolen and more. And to get you started, new Outback drivers enjoy a free three-year STARLINK® Safety Plus subscription, which includes Advanced Automatic Collision Notification, Enhanced Roadside Assistance, SOS Emergency Assistance and more.

¹ Availability varies by model. See your retailer for details. ² Blind-Spot Detection, Lane Change Assist and Rear Cross-Traffic Alert are systems designed to assist the driver by monitoring the rear and side areas of the vehicle during a lane change or reversing and are not a substitute for safe and attentive driving. ³ The Reverse Automatic Braking System is not a substitute for safe and attentive driving. System effectiveness depends on many factors, such as vehicle maintenance, weather and road conditions. Always exercise caution and use vehicle mirrors and the Rear-Vision Camera when backing up. See Owner's Manual for complete details on system operation and limitations. ⁴ Activation with subscription required. Includes a 3-year trial subscription to Safety Plus services and a 6-month trial subscription to Safety and Security Plus services. The Concierge plan can be purchased annually or monthly. A credit card on file will be required for specific packages and for renewal purposes. See your retailer for details.

Stops aren't the only
chances to stretch.

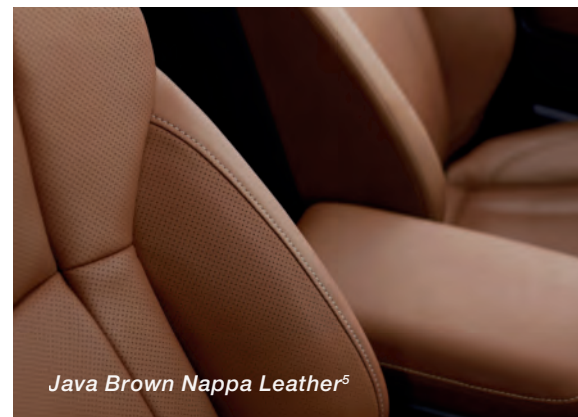
1 Without available power moonroof. See your retailer for details. 2 Comparison based on competitor information from manufacturer websites for 2019 model-year vehicles within the IHS Markit Non-Luxury CUV segment and current at time of printing. 3 Availability varies by model. See your retailer for details. 4 Requires Keyless Access with Push-Button Start and subscription to STARLINK® Safety and Security Plus services. 6-month free trial included. See your retailer for details. 5 Touring models only. See your retailer for details.

Outback Limited with Warm Ivory Leather and optional equipment.

11 | 2020 Outback

Expanding possibility.

Space goes a long way in the Outback, and with 109.0 cubic feet of passenger volume,¹ it's roomier than the Jeep Grand Cherokee, Honda CR-V and Toyota Rav4.² A vast cargo area offers the convenience of a Hands-Free Power Rear Gate³ and the versatility of a 60/40-split folding rear seatback. When it comes to comfort, you can ensure the Outback is at the perfect temperature even before you step in, thanks to Remote Engine Start with Climate Control.^{3,4} Once inside, you're welcomed by genuine Nappa Leather⁵ and a 10-way power driver seat.³ There's also an 8-way power front-passenger seat,³ along with heated³ and ventilated front seats,⁵ heated rear seats³ and even a heated steering wheel.³ When the moment calls for calm, you'll have as much as you need—this is the quietest Outback interior yet.



Java Brown Nappa Leather⁵



Two-position memory driver seat and exterior mirrors³



Rear-seat comfort

2020 Outback | Models



Outback

- 182-hp 2.5-liter 4-cylinder SUBARU BOXER® engine with direct-injection and auto start-stop technology
- EyeSight® Driver Assist Technology¹
- Subaru Symmetrical All-Wheel Drive with Active Torque Vectoring
- Lineartronic® CVT (Continuously Variable Transmission) with 8-speed manual-mode paddle shifters
- X-MODE® featuring Hill Descent Control
- Auto-on/off LED headlights with High Beam Assist
- 17-inch aluminum-alloy wheels
- Roof rails with integrated retractable crossbars and 4 tie-down points
- Cloth upholstery
- 6-way manually adjustable driver seat and 4-way manually adjustable front-passenger seat
- SUBARU STARLINK® Dual 7.0-inch Multimedia with Apple CarPlay®, Android Auto™, SiriusXM® All Access Radio² and Travel Link,^{8,2} dual USB input ports/iPod® control, 4 speakers, AM/FM stereo, Bluetooth® audio streaming and hands-free phone connectivity, and auxiliary jack
- Automatic climate control
- Driver and front-passenger auto-up/down power windows
- Glove box and cargo-area 12-volt power outlets
- Cargo-area tray, 4 tie-down hooks and 2 grocery bag hooks
- Welcome lighting
- Rear-Vision Camera



Outback Premium

Includes Outback key features and adds:

- Body-color side mirrors with integrated turn signals
- LED fog lights
- Privacy glass
- All-Weather Package: Heated exterior mirrors, 3-mode heated front seats, windshield wiper de-icer
- 10-way power-adjustable driver seat with lumbar support
- SUBARU STARLINK® 11.6-inch Multimedia Plus with Apple CarPlay®, Android Auto™, SiriusXM® All Access Radio² and Travel Link,^{8,2} 6 speakers, AM/FM stereo, Bluetooth® audio streaming and hands-free phone and text messaging connectivity
- 4G LTE Wi-Fi capability³
- Dual rear-seat USB charge ports
- Dual-zone automatic climate control system
- Leather-wrapped steering wheel and shifter handle
- Center console 12-volt power outlet
- Lifting and retractable cargo-area cover
- STARLINK® Safety and Security enabled⁴: Includes features and services such as Advanced Automatic Collision Notification, Remote Engine Start with Climate Control⁵ and Concierge Services



Outback Limited

Includes Outback Premium key features and adds:

- 18-inch aluminum-alloy wheels
- Silver metallic finish front and rear bumper underguards
- LED Steering Responsive Headlights
- Hands-Free Power Rear Gate with vehicle lock button
- Automatic tilt-down passenger side mirror
- Keyless Access with Push-Button Start and PIN-code vehicle access
- Leather-trimmed upholstery
- 8-way power-adjustable front-passenger seat
- Adjustable driver seat thigh support
- Two-position memory driver seat and exterior mirrors
- Heated outboard rear seats
- Harman Kardon® 576-watt-equivalent premium audio system with 12 speakers
- Auto-up/down front and rear windows
- Blind-Spot Detection with Lane Change Assist and Rear Cross-Traffic Alert⁶
- Reverse Automatic Braking⁷
- Auto-dimming rearview compass mirror with HomeLink®



Outback Touring

Includes Outback Limited key features and adds:

- DriverFocus™ Distraction Mitigation System⁸
- Automatic power-folding exterior mirrors with Satin chrome
- Roof rails with silver finish integrated retractable crossbars and 4 tie-down points
- Body-color door handles with chrome inserts
- Crystal Black Silica finish pillar trim
- 180-Degree Front View Monitor
- Power moonroof
- Java Brown Nappa leather-trimmed upholstery
- High-grade leather-wrapped steering wheel
- 3-mode ventilated front seats
- Heated steering wheel
- SUBARU STARLINK® 11.6-inch Multimedia Navigation with 3 years of map updates, SiriusXM® All Access Radio,² Traffic^{9,9} and Travel Link,^{8,9} and CD player
- 8 cargo-area tie-down hooks



Outback Onyx Edition XT

Includes Outback Premium key features and adds:

- 260-hp 2.4-liter 4-cylinder direct-injection turbocharged SUBARU BOXER® engine with auto start-stop technology
- Dual-Mode X-MODE® with Snow/Dirt and Deep Snow/Mud modes
- 3,500-lb. towing capacity¹⁰
- Dual exhaust outlets
- 18-inch aluminum-alloy wheels with black finish
- Crystal Black Silica front grille
- Crystal Black Silica finish exterior mirrors with integrated turn signals
- Black badging
- Hands-Free Power Rear Gate with vehicle lock button
- Full-size spare tire
- Gray StarTex™ water-repellent upholstery with lime contrast stitching
- 8-way power-adjustable front-passenger seat
- Heated outboard rear seats
- Keyless Access with Push-Button Start and PIN-code vehicle access
- Blind-Spot Detection with Lane Change Assist and Rear Cross-Traffic Alert⁶
- 180-Degree Front View Monitor
- Auto-dimming rearview compass mirror with HomeLink®
- 8 cargo-area tie-down hooks



Outback Limited XT

Includes Outback Limited key features and adds:

- 260-hp 2.4-liter 4-cylinder direct-injection turbocharged SUBARU BOXER® engine with auto start-stop technology
- Lineartronic® CVT (Continuously Variable Transmission) High Torque with 8-speed manual-mode paddle shifters
- 3,500-lb. towing capacity¹⁰
- Dual exhaust outlets
- Power moonroof
- Heated steering wheel
- SUBARU STARLINK® 11.6-inch Multimedia Navigation with 3 years of map updates, SiriusXM® All Access Radio,² Traffic^{9,9} and Travel Link^{8,9}
- DriverFocus™ Distraction Mitigation System⁸
- Sound-insulating front door glass



The Subaru Outback is the best-selling all-wheel drive vehicle in its class for the past 10 years.¹¹

Based on IHS Markit U.S.

Subaru is the Most Trusted Brand for five years running, according to Kelley Blue Book.¹²



The Subaru Outback has the Best Resale Value in its class for 2019, according to Kelley Blue Book.¹³



Subaru has the highest automotive brand loyalty among mainstream brands for 2019, according to J.D. Power.¹⁴



98% of Subaru Outback vehicles sold in the last 10 years are still on the road today.¹⁵

Based on IHS Markit U.S.



Outback Touring XT

Includes Outback Touring key features and adds:

- 260-hp 2.4-liter 4-cylinder direct-injection turbocharged SUBARU BOXER® engine with auto start-stop technology
- Lineartronic® CVT (Continuously Variable Transmission) High Torque with 8-speed manual-mode paddle shifters
- 3,500-lb. towing capacity¹⁰
- Dual exhaust outlets
- Sound-insulating front door glass

¹ EyeSight® is a driver assist technology, which may not operate optimally under all driving conditions. The driver is always responsible for safe and attentive driving. System effectiveness depends on many factors such as vehicle maintenance, weather and road conditions. See Owner's Manual for complete details on system operation and limitations. ² Activation and required monthly subscription sold separately. Includes 4-month trial subscription. See your retailer. ³ Activation and subscription required. Internet access is purchased separately through AT&T with monthly, per gigabyte, and unlimited data options available. Existing AT&T customers have the option to add a line to their AT&T Mobile Share plan. See your retailer for details. ⁴ Activation with subscription required. Includes a 3-year trial subscription to STARLINK® Safety Plus services and a 6-month trial subscription to STARLINK® Safety and Security Plus services. The Concierge plan can be purchased annually or monthly. A credit card on file will be required for specific packages and for renewal purposes. See your retailer for details. ⁵ Requires Keyless Access with Push-Button Start. See your retailer for details. ⁶ Blind-Spot Detection, Lane Change Assist and Rear Cross-Traffic Alert are systems designed to assist the driver by monitoring the rear and side areas of the vehicle during a lane change or reversing and are not a substitute for safe and attentive driving. ⁷ The Reverse Automatic Braking System is not a substitute for safe and attentive driving. System effectiveness depends on many factors, such as vehicle maintenance, weather and road conditions. Always exercise caution and use vehicle mirrors and the Rear-Vision Camera when backing up. See Owner's Manual for complete details on system operation and limitations. ⁸ The DriverFocus™ Distraction Mitigation System is a driver recognition technology designed to alert drivers if their attention to

the road wavers or if the driver's face appears to turn away. The driver is always responsible for safe and attentive driving. System effectiveness may be affected by articles of clothing worn on the head or face. See Owner's Manual for complete details on system operation and limitations. ⁹ Activation and monthly subscription sold separately. Includes 3-year trial subscription. See your retailer. ¹⁰ Trailer brakes may be needed. Some safety features, including X-MODE®, Blind-Spot Detection and Rear Cross-Traffic Alert, may not function properly when towing. See your retailer for details. ¹¹ Based on IHS Markit U.S. total registrations for all-wheel drive vehicles in the Non-Luxury Midsize Utility segment from January 2009–December 2018. ¹² 2015–2019 Kelley Blue Book Brand Image Awards are based on the Brand Watch™ study from Kelley Blue Book Strategic Insights. Award calculated among non-luxury shoppers. For more information, visit Kelley Blue Book's KBB.com. Kelley Blue Book is a registered trademark of Kelley Blue Book Co., Inc. ¹³ Vehicle's projected resale value is specific to the 2019 model year. For more information, visit Kelley Blue Book's KBB.com. Kelley Blue Book is a registered trademark of Kelley Blue Book Co., Inc. ¹⁴ Subaru received the highest score among mass market brands in the J.D. Power 2019 U.S. Automotive Brand Loyalty Study of customers' satisfaction with Automotive Brands. Visit jdpower.com/awards. ¹⁵ Based on IHS Markit vehicles in operation as of December 2018 for MY2009–2018 vs. total new registrations of those vehicles.

2020 Outback | Specifications

Engine and Drivetrain		Outback	Outback XT
Engine Power Torque	2.5-liter DOHC direct-injection aluminum-alloy 16-valve 4-cylinder horizontally opposed SUBARU BOXER® engine with Dual Active Valve Control System (DAVCS). 182 hp @ 5,800 rpm 176 lb-ft @ 4,400 rpm	●	—
	2.4-liter DOHC, Direct Injection Turbocharged (DIT), intercooled, aluminum-alloy 16-valve 4-cylinder horizontally opposed SUBARU BOXER® engine with Dual Active Valve Control System (DAVCS). 260 hp @ 5,600 rpm 277 lb-ft @ 2,000-4,800 rpm	—	●
Auto Start-Stop System	Automatically turns off and restarts the vehicle's engine when stopped, reducing vehicle idle time, emissions and fuel consumption.	●	●
Automatic Transmission	Lineartronic® CVT (Continuously Variable Transmission) with Adaptive Control and 8-speed manual mode with paddle shifters.	●	—
	Lineartronic® CVT (Continuously Variable Transmission) High Torque with Adaptive Control and 8-speed manual mode with paddle shifters.	—	●
CA Emissions		LEV III/SULEV 30	LEV III/ULEV 125
Maximum Towing Capacity¹ (certain limitations apply)		2,700 lbs.	3,500 lbs.
Traction and Stability			
All-Wheel Drive type	Subaru Symmetrical All-Wheel Drive	●	●
X-MODE®	X-MODE® optimizes engine output and transmission ratio, increases all-wheel drive system engagement and uses enhanced control of the VDC system to reduce or increase individual wheelspin, providing optimal traction on various types of terrain and low friction surfaces. Outback, Outback Premium, Outback Limited/XT and Outback Touring/XT: Standard. Single mode system. Outback Onyx Edition XT: Standard. Dual mode system with Snow/Dirt and Deep Snow/Mud modes.	●	●
Hill Descent Control (HDC)	X-MODE® also incorporates Hill Descent Control that helps to maintain a constant vehicle speed when traveling downhill, enhancing vehicle control.	●	●
Vehicle Dynamics Control (VDC)	VDC electronic stability control utilizes sensors that constantly monitor wheel speeds, steering angle, brake pressure, vehicle yaw rate and lateral g-forces. If VDC detects a difference between the driver's intended path and the one the vehicle is actually taking, VDC applies braking power and/or reduces engine torque to help correct vehicle path.	●	●
Traction Control System (TCS)	VDC also incorporates an all-wheel, all-speed Traction Control System, which senses a loss of traction and applies braking force to the slipping wheel or wheels as necessary to maintain vehicle motion.	●	●
Active Torque Vectoring	Active Torque Vectoring works in tandem with VDC to apply braking power to the inside wheels, resulting in better handling, sharper turn-in, more neutral steering and higher cornering limits when turning.	●	●

● Standard ○ Optional — Not equipped

2020 Outback | Specifications

Traction and Stability (continued)		Outback	Outback XT
Auto Vehicle Hold (AVH)	AVH helps to reduce driver fatigue by holding the vehicle in place when the vehicle is stopped, after the brake pedal has been released. Utilizing VDC and the Electronic Parking Brake, AVH can hold the vehicle stationary on level, decline or incline surfaces.	●	●
Fuel			
Fuel Economy	city/highway/combined ²	26/33/29 mpg	23/30/26 mpg
Fuel Requirement	Unleaded gasoline (87 octane)	●	●
Fuel Capacity	18.5 gallons	●	●
Chassis			
Steering	Electric power-assisted quick ratio rack-and-pinion steering (EPAS). Turning circle: 36.1 feet.	●	●
Suspension	4-wheel independent raised suspension. Front: Strut type with internal rebound spring. Aluminum-alloy lower L-arm. Stabilizer bar. Rear: Double-wishbone. Stabilizer bar.	●	●
Brakes	4-wheel disc. Ventilated front and rear. 4-channel, 4-sensor ABS with Electronic Brake-force Distribution (EBD).	●	●
Brake Discs (front/rear)	12.4 inches/11.8 inches	●	●
Brake Override System	If both brake and accelerator pedals are pressed simultaneously, the system reduces the operation of the accelerator pedal to help prevent unintentional vehicle acceleration.	●	●
Wheels and Tires			
Wheels	Outback and Outback Premium: 17 x 7.0-inch aluminum-alloy. Black with machine finish.	●	—
	Outback Onyx Edition XT: 18 x 7.0-inch aluminum-alloy. Black finish.	—	●
	Outback Limited/XT and Outback Touring/XT: 18 x 7.0-inch aluminum-alloy. Black with machine finish.	●	●
Tires	Outback and Outback Premium: 225/65 R17 102H All-season.	●	—
	Outback Onyx Edition XT, Outback Limited/XT and Outback Touring/XT: 225/60 R18 100H All-season.	●	●
Spare Tire	Outback, Outback Premium, Outback Limited/XT and Outback Touring/XT: Temporary use T155/80 D17	●	●
	Outback Onyx Edition XT: Full-size spare	—	●

2020 Outback | Equipment

Exterior	Outback	Outback Premium	Outback Limited	Outback Touring	Outback Onyx Ed.	Outback Limited XT	Outback Touring XT
LED headlights with High Beam Assist (HBA)	●	●	—	—	●	—	—
LED Steering Responsive Headlights (SRH) with High Beam Assist (HBA)	—	—	●	●	—	●	●
LED fog lights	—	●	●	●	●	●	●
Silver metallic finish front and rear bumper underguards	—	—	●	●	—	●	●
Black folding exterior mirrors	●	—	—	—	—	—	—
Body-color folding exterior mirrors with integrated turn signals	—	●	●	—	—	●	—
Automatic tilt-down passenger side mirror	—	—	●	●	—	●	●
Heated exterior mirrors and windshield wiper de-icer (All-Weather Package)	—	●	●	●	●	●	●
Power tilt/sliding-glass moonroof (95% UV light-reducing) ^{3,4}	—	○	○	●	○	●	●
Roof rails with integrated retractable crossbars and 4 tie-down points (150-lb. dynamic maximum load capacity)	●	●	●	●	●	●	●
Seating and Trim							
6-way manually adjustable driver seat	●	—	—	—	—	—	—
10-way power-adjustable driver seat with power-adjustable lumbar support	—	●	●	●	●	●	●
8-way power-adjustable front-passenger seat	—	—	●	●	●	●	●
4-way manually adjustable front-passenger seat	●	●	—	—	—	—	—
Adjustable driver seat thigh support	—	—	●	●	—	●	●
Heated front seats (All-Weather Package)	—	●	—	—	—	—	—
Heated front and outboard rear seats (All-Weather Package)	—	—	●	●	●	●	●
3-mode ventilated front seats	—	—	—	●	—	—	●
Heated steering wheel	—	—	○ ⁴	●	—	●	●
Reclining, one-touch 60/40-split flat-folding rear seatback	●	●	●	●	●	●	●
Convenience Features							
Keyless Access with Push-Button Start and PIN-code vehicle access	—	○ ⁴	●	●	●	●	●
Hands-Free Power Rear Gate with automatic close, height memory function and vehicle lock button	—	○ ⁴	●	●	●	●	●
2-position memory driver seat and exterior mirrors	—	—	●	●	—	●	●
Auto-on/off wiper-linked headlights	●	●	●	●	●	●	●
Auto-dimming rearview compass mirror with HomeLink®	—	—	●	●	●	●	●
Driver and front-passenger auto-up/down power windows	●	●	●	●	●	●	●
Rear seat auto-up/down power windows	—	—	●	●	●	●	●
4G LTE Wi-Fi capability ⁵	—	●	●	●	●	●	●
Dual front USB input ports and dual rear USB charge ports	—	●	●	●	●	●	●
Manually adjustable tilt/telescoping steering column	●	●	●	●	●	●	●
8 cup and bottle holders	●	●	●	●	●	●	●
Cargo-area tray	●	●	●	●	●	●	●
Lifting and retractable cargo-area cover	□	●	●	●	●	●	●
Audio and Communication Systems							
SUBARU STARLINK® Dual 7.0-inch Multimedia with Apple CarPlay®, Android Auto™, STARLINK® cloud-based applications, SiriusXM® All Access Radio® and Travel Link® ⁶ , dual USB input ports/iPod® control, 4 speakers, AM/FM stereo, HD Radio®, Bluetooth® audio streaming and hands-free phone connectivity, and 3.5-mm auxiliary jack	●	—	—	—	—	—	—
SUBARU STARLINK® 11.6-inch Multimedia Plus with Apple CarPlay®, Android Auto™, STARLINK® cloud-based applications, SiriusXM® All Access Radio® and Travel Link® ⁶ , dual USB input ports/iPod® control, AM/FM stereo, HD Radio®, Bluetooth® audio streaming, hands-free phone and text messaging connectivity, 3.5-mm auxiliary jack	—	●	●	—	●	—	—
SUBARU STARLINK® 11.6-inch Multimedia Navigation System with 3 years of map updates, Apple CarPlay®, Android Auto™, STARLINK® cloud-based applications, SiriusXM® All Access Radio®, Traffic ⁷ and Travel Link ⁷ , AM/FM stereo, HD Radio®, Bluetooth® audio streaming, hands-free phone and text messaging connectivity, 3.5-mm auxiliary jack	—	○ ⁴	○ ⁴	●	○ ⁴	●	●
6 speakers	—	●	—	—	●	—	—

● Standard ○ Optional — Not equipped □ Available retailer-installed accessory

2020 Outback | Equipment

Audio and Communication Systems (continued)	Outback	Outback Premium	Outback Limited	Outback Touring	Outback Onyx Ed.	Outback Limited XT	Outback Touring XT
Harman Kardon® premium system with 576-watt-equivalent amplifier and 12 speakers, including center dash speaker and subwoofer	—	—	●	●	—	●	●
Climate Control							
Automatic climate control system with air filtration	●	—	—	—	—	—	—
Dual-zone automatic climate control system with air filtration	—	●	●	●	●	●	●
Instrumentation							
Electroluminescent analog speedometer, tachometer, coolant temperature and fuel level gauges. LCD color screen, displaying vehicle functions.	●	●	●	●	●	●	●
Security							
Keyless entry system with answer-back electronic chirp	●	●	●	●	●	●	●
Anti-theft security system with engine immobilizer	●	●	●	●	●	●	●
Safety							
ACTIVE							
Subaru Symmetrical All-Wheel Drive (AWD)	●	●	●	●	●	●	●
EyeSight® Driver Assist Technology ⁸ : Pre-Collision Braking System, Pre-Collision Throttle Management, Lane Departure and Sway Warning, Advanced Adaptive Cruise Control with Lane Centering	●	●	●	●	●	●	●
Blind-Spot Detection with Lane Change Assist and Rear Cross-Traffic Alert ⁹	—	○ ⁴	●	●	●	●	●
Reverse Automatic Braking (RAB) ¹⁰	—	—	●	●	○ ⁴	●	●
DriverFocus™ Distraction Mitigation System (DMS) ¹¹	—	—	○ ⁴	●	—	●	●
Tire Pressure Monitoring System (TPMS)	●	●	●	●	●	●	●
LED Daytime Running Lights (DRL)	●	●	●	●	●	●	●
180-Degree Front View Monitor	—	—	—	●	●	—	●
Rear-Vision Camera (high-resolution)	●	●	●	●	●	●	●
PASSIVE							
STARLINK® Safety and Security enabled ¹² : Advanced Automatic Collision Notification, SOS Emergency Assistance, Enhanced Roadside Assistance, Maintenance Notifications, Monthly Vehicle Health Report, Diagnostic Alerts, Remote Engine Start with Climate Control ¹³ , Remote Lock/Unlock, Concierge Services and more	—	●	●	●	●	●	●
Subaru advanced frontal airbag system with dual-stage deployment driver and front-passenger airbags (SRS) ¹⁴	●	●	●	●	●	●	●
Driver's knee airbag (SRS) ¹⁴	●	●	●	●	●	●	●
Front-passenger seat cushion airbag (SRS) ¹⁴	●	●	●	●	●	●	●
Side-curtain airbags with rollover sensor protecting front and rear outboard occupants (SRS) ¹⁴	●	●	●	●	●	●	●
Seat-mounted front side-impact airbags (SRS) ¹⁴	●	●	●	●	●	●	●
Whiplash-reducing front seats with height-adjustable head restraints	●	●	●	●	●	●	●
Height-adjustable 3-point front seatbelts with pretensioners and force limiters	●	●	●	●	●	●	●
3-point seatbelts at all rear seating positions	●	●	●	●	●	●	●
Rear child-safety door locks	●	●	●	●	●	●	●
LATCH system: Lower Anchors and Tethers for Children	●	●	●	●	●	●	●
Optional Equipment							
Keyless Access with Push-Button Start • Hands-Free Power Rear Gate • Blind-Spot Detection with Lane Change Assist and Rear Cross-Traffic Alert ⁹	—	○	—	—	—	—	—
Keyless Access with Push-Button Start • Hands-Free Power Rear Gate • Blind-Spot Detection with Lane Change Assist and Rear Cross-Traffic Alert ⁹ • Power moonroof • SUBARU STARLINK® 11.6-inch Multimedia Navigation System	—	○	—	—	—	—	—
Power moonroof • SUBARU STARLINK® 11.6-inch Multimedia Navigation System • Reverse Automatic Braking ¹⁰	—	—	—	—	○	—	—
Power moonroof • SUBARU STARLINK® 11.6-inch Multimedia Navigation System • DriverFocus™ Distraction Mitigation System ¹¹ • Heated steering wheel	—	—	○	—	—	—	—

17 | 2020 Outback

Outback | Accessories



Splash Guards. Help protect the vehicle's paint finish from stones and road grime.



Wireless Charger. Conveniently charge your phone without the hassle of tangled wires. The Wireless Charger is a Qi Certified Device with Intelligent Charging Profiles, cell phone battery protection, temperature control technology and short circuit safe guards. Compatible with all Qi enabled devices and Samsung Fast Charge enabled devices. Anti-slip rubber insert safely holds your mobile device.



Trailer Hitch. Subaru hitches are engineered to the same rigorous standards as the rest of the Outback. Heavy-duty rated at 3,500-lb. towing capacity, 350-lb. tongue weight, for the 2.4L Turbo XT and at 2,700-lb. towing capacity, 270-lb. tongue weight, for the naturally aspirated 2.5L.

Hitch ball not included. Ball mount sold separately. Trailer brakes may be needed. Not compatible with the Bumper Under Guard - Rear.



Thule® Portable Step. Get the extra height you need to easily access all of your rooftop lifestyle accessories with the convenience of the Thule® Portable Step. Constructed of heavy-duty steel; rubber bumpers are included to help prevent wheel scrapes and scuffs. This step conveniently folds into a carrying bag for easy storage.

For a complete list of available accessories, visit your local Subaru retailer or visit www.subaru.com



Rockford Fosgate® Audio Upgrade. The Rockford Fosgate® Audio Upgrade consists of an amplifier, upgraded speakers and an integrated digital signal processor tuned to align the system to the listener's preference. Not for use with Harman Kardon® audio system with amplifier.



Rear Seatback Protector. Provides additional protection to the rear seatbacks when lowering the seats to transport larger cargo. Use in conjunction with the Cargo Tray for maximum protection.



All-Weather Floor Liners. Custom-fitted, high wall design floor liners help protect the vehicle carpet from accidental spills, sand, snow, mud, dirt and moisture. Not intended for use on top of Carpeted Floor Mats.



Auto-Dimming Mirror with HomeLink® This upgraded Auto-Dimming Mirror detects glare and darkens automatically to protect your vision while featuring an 8-point digital compass. Three backlit HomeLink® buttons can be programmed to operate most garage doors, security gates, home lighting and more. Can also provide you with the last status of your garage door (open or closed) if programmed to a compatible opener featuring two-way communication.



Remote Engine Starter. Allows vehicle to be started by pushing a button from the convenience of home or the office (up to 400 feet away depending on obstructions) so that the vehicle's interior temperature is more comfortable upon entry. Push Start works in conjunction with the Keyless Access and Start system. This Genuine Subaru Accessory is an alternative for customers who do not enroll in STARLINK® Safety and Security Plus.



Auto-Dimming Exterior Mirrors with Approach Light. Enhance your Auto-Dimming Mirror experience by adding the Auto-Dimming Exterior Mirrors with Approach Light.¹ Open or unlock the doors with the keyless entry system, and LED lights located behind the Subaru logo in each exterior mirror help to light the way. Light is cast down and onto the ground next to and towards the rear of the vehicle. When in traffic, the Exterior Auto-Dimming Mirrors help add to a safer driving experience by reducing headlight glare on the exterior mirrors. This occurs when excessive light is detected from the rear of the vehicle. The dimming level of the exterior mirrors is regulated by the level of light detected by the Auto-Dimming (Interior) Mirror.



Seat Cover - Rear. Keep your second row tidy with the custom-fitted rear seat cover. Machine-washable, water-resistant and latch-accessible, this seat cover is great for kids, pets and life on the go. Made with a polyester front and polyurethane-coated back.



Body Side Molding. Attractive color-matched moldings coordinate with the styling of the vehicle while helping to protect doors from unsightly dings.



Not Dimmed



Dimmed



Rear Gate Trim - Chrome. Enhance the appearance of your rear lift gate with chrome trim.



Interior Trim Kit - Woodgrain. Upgrade your interior's appearance with a woodgrain accent for your dash.

¹ Requires Auto-Dimming (Interior) Mirror. For Touring models, vehicle must be unlocked to unfold side mirrors, allowing the approach light to illuminate next to and towards the rear of the vehicle.



Thule® Kayak Carrier



Thule® Cargo Carrier - Extended



Thule® Heavy-Duty Roof Cargo Basket

Outfit your Outback.

When your passion is even bigger than your cargo area, Genuine Subaru active lifestyle accessory attachments manufactured by Thule® are a smart way to securely transport larger gear like bikes, skis, snowboards, kayaks, paddleboards and more. Each carrier safely attaches to your roof rack, and the available Thule® Portable Step can help you easily access everything.

2020 Outback | Owner Benefits

For additional Subaru resources, including owner's manuals, maintenance schedules, roadside assistance and more, log on to www.mysubaru.com

Protecting Your Investment

Once you're part of our family, we'll be there for you. Every Subaru comes with 24-hour roadside assistance for 3 years or 36,000 miles. If you have trouble on the road, a tow to the nearest Subaru retailer and other services are just a phone call away. And to protect you over the long haul, we offer Added Security®...ask for it by name—extended service agreements and maintenance plans that will help protect your car for up to 10 years or 100,000 miles. They're the only mechanical and maintenance plans backed by Subaru, and because we've been backing them for more than 30 years, they're agreements you can trust. Your retailer has full coverage details.

Responsible. Reliable. Ready to join the family.

At Subaru, we're committed to building a lasting, rewarding relationship with you and the world we share. We start by building our vehicles to last—in fact, 98% of Subaru Outback vehicles sold in the last 10 years are still on the road today.¹⁵ We also share your desire for a cleaner, greener world. In 2004, Subaru of Indiana Automotive, Inc. (SIA) became the first manufacturing facility in the U.S. to reach zero-landfill status—nothing from its manufacturing efforts ever goes into a landfill. Subaru is also headquartered in a zero-landfill office in Camden, N.J.

000475 038000 102000 157000 248000



More than a Car Company.™



Love means being more than a car company. The **Subaru Love Promise** is our vision to show love and respect to all people at every interaction with Subaru. Together with our retailers, we are dedicated to making the world a better place.

Warranties

New Car Limited Warranty 3 years or 36,000 miles, whichever comes first.

Powertrain Limited Warranty 5 years or 60,000 miles, whichever comes first.

Wear Item Limited Warranty 3 years or 36,000 miles, whichever comes first. Repairs to the following items will also be covered under Wear Item Limited Warranty:

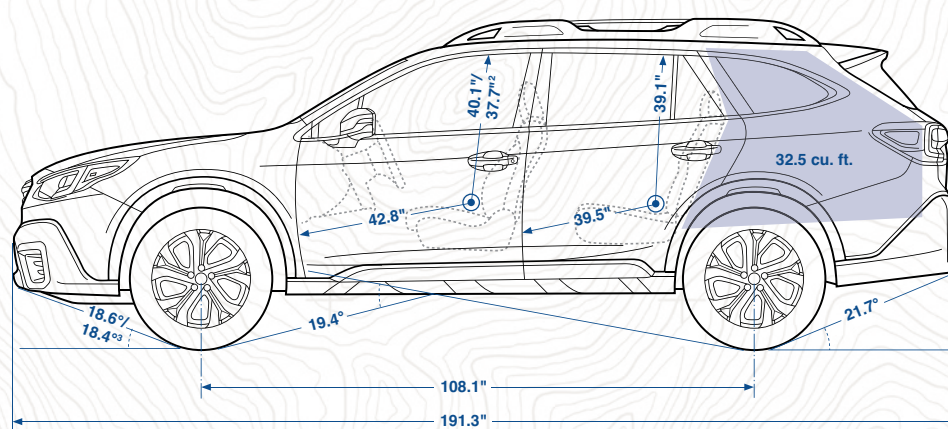
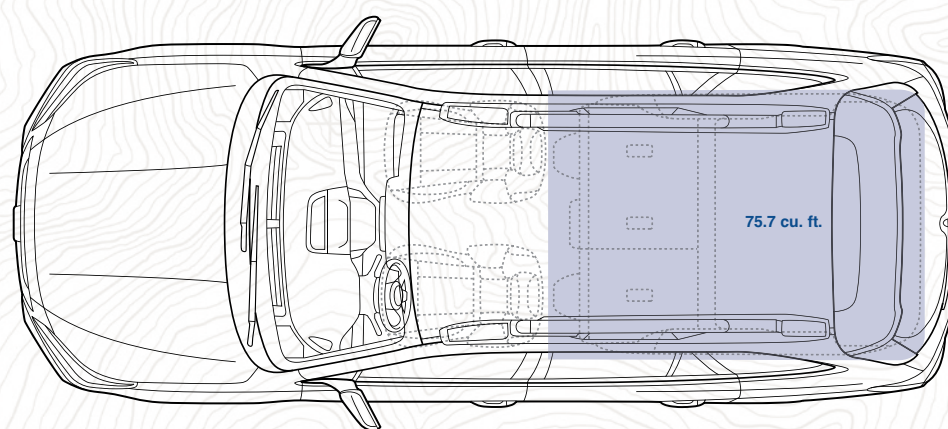
- Brake Pads
- Wiper Blades
- Clutch Linings
- Transmitter Batteries

Rust Perforation Limited Warranty 5 years, unlimited mileage.

24-hour Roadside Assistance 3 years or 36,000 miles, whichever comes first.

¹ Trailer brakes may be needed. Some safety features, including X-MODE®, Blind Spot Detection and Rear Cross-Traffic Alert, may not function properly when towing. See your retailer for details. ² 2020 EPA fuel economy estimates. Actual mileage may vary. ³ The glass information listed represents calculated reference values, and may not represent actual values determined by testing. ⁴ Available only with other features. See Optional Equipment listing. ⁵ Activation and subscription required. Internet access is purchased separately through AT&T with monthly, per gigabyte, and unlimited data options available. Existing AT&T customers have the option to add a line to their AT&T Mobile Share plan. See your retailer for details. ⁶ Activation and required monthly subscription sold separately. Includes 4-month trial subscription. See your retailer. ⁷ Activation and monthly subscription sold separately. Includes 3-year trial subscription. See your retailer. ⁸ EyeSight® is a driver assist technology, which may not operate optimally under all driving conditions. The driver is always responsible for safe and attentive driving. System effectiveness depends on many factors such as vehicle maintenance, weather and road conditions. The Pre-Collision Braking System is designed to provide automatic braking that either prevents a collision or reduces the severity of a frontal impact. Pre-Collision Throttle Management is designed to reduce acceleration and minimize the severity of certain frontal impacts. Advanced Adaptive Cruise Control and Brake Light Recognition are designed to assist the driver and are not substitutes for safe and attentive driving. Lane centering function operates only when used in conjunction with Advanced Adaptive Cruise Control. The Lane Departure and Sway Warning operates only when the lane markings are visible, and its effectiveness depends on many factors. See Owner's Manual for complete details on system operation and limitations. ⁹ Blind-Spot Detection, Lane Change Assist and Rear Cross-Traffic Alert are systems designed to assist the driver by monitoring the rear and side areas of the vehicle during a lane change or reversing and are not a substitute for safe and attentive driving. ¹⁰ The Reverse Automatic Braking System is not a substitute for safe and attentive driving. System effectiveness depends on many factors, such as vehicle maintenance, weather and road conditions. Always exercise caution and use vehicle mirrors and the Rear-Vision Camera when backing up. See Owner's Manual for complete details on system operation and limitations. ¹¹ The DriverFocus™ Distraction Mitigation System is a driver recognition technology designed to alert drivers if their attention to the road wavers or if the driver's face appears to turn away. The driver is always responsible for safe and attentive driving. System effectiveness may be affected by articles of clothing worn on the head or face. See Owner's Manual for complete details on system operation and limitations. ¹² Activation with subscription required. Includes a 3-year trial subscription to STARLINK® Safety Plus services and a 6-month trial subscription to STARLINK® Safety and Security Plus services. The Concierge plan can be purchased annually or monthly. A credit card on file will be required for specific packages and for renewal purposes. See your retailer for details. ¹³ Requires Keyless Access with Push-Button Start. See your retailer for details. ¹⁴ The Supplemental Restraint System (SRS) (airbags) affords the driver and the front passenger additional protection in moderate to severe frontal and side-impact collisions and outboard 2nd-row passengers additional protection in moderate to severe side-impact collisions. This system provides supplemental protection only, and seatbelts must be worn in order to avoid injuries to out-of-position occupants upon airbag deployment and to provide the best combined protection in a serious accident. Children should always be properly restrained in one of the rear seats. See Owner's Manual for recommended seating position. ¹⁵ Based on IHS Markit vehicles in operation as of December 2018 for MY2009-2018 vs. total new registrations of those vehicles.

2020 Outback | Dimensions



Length	191.3 inches
Width	73.0 inches (81.8 inches/82.0 inches, ¹ including mirrors)
Height	66.1 inches
Wheelbase	108.1 inches
Track (front/rear)	61.8 inches/62.8 inches
Base curb weight	Outback: 3,634 lbs. Outback Premium: 3,654 lbs. Outback Limited: 3,730 lbs. Outback Touring: 3,772 lbs. Outback Onyx Edition XT: 3,884 lbs. Outback Limited XT: 3,926 lbs. Outback Touring XT: 3,937 lbs.

Ground clearance	8.7 inches (at curb weight)
Headroom (front/rear)	40.1 inches/39.1 inches (with available moonroof: 37.7 inches/39.1 inches)
Legroom (front/rear)	42.8 inches/39.5 inches
Shoulder room (front/rear)	58.1 inches/57.4 inches
Hip room (front/rear)	55.5 inches/54.8 inches
Passenger volume	109.0 cubic feet (with available moonroof: 105.6 cubic feet)
Cargo volume	32.5 cubic feet
Maximum cargo volume	75.7 cubic feet with rear seatback folded

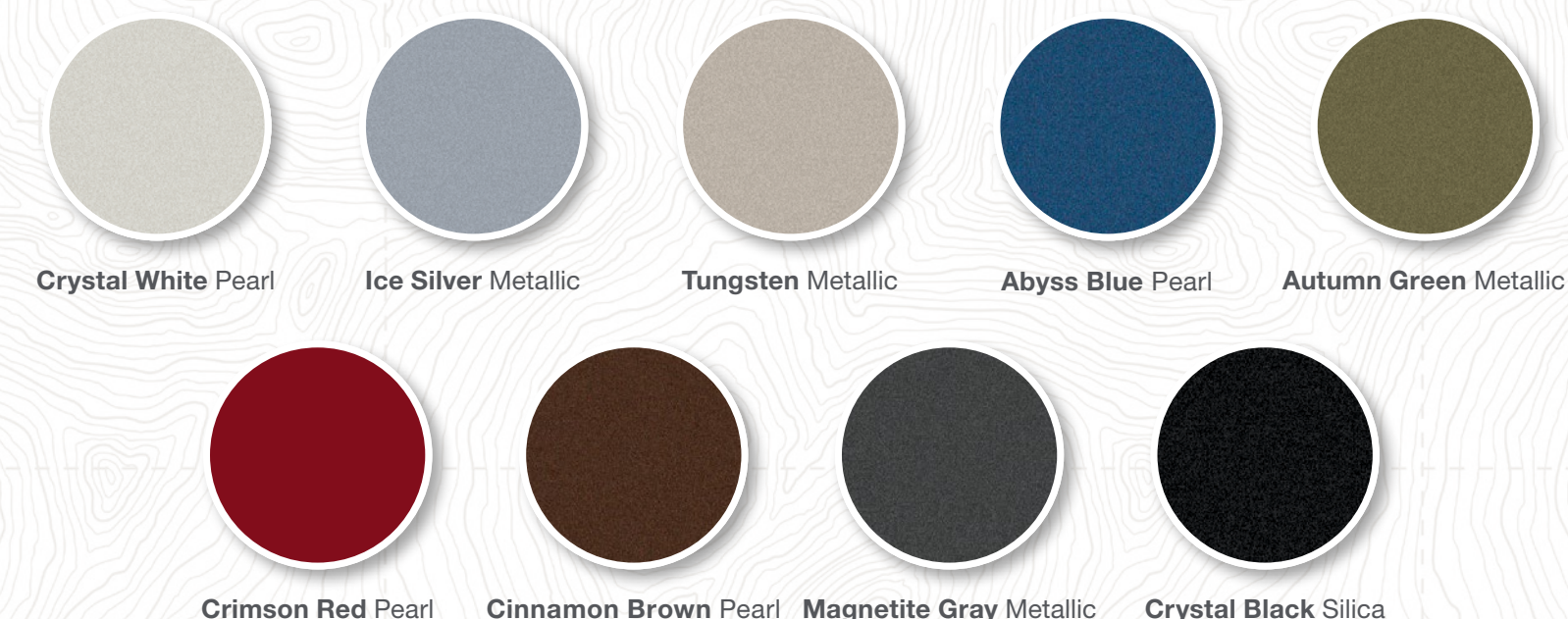
¹ With integrated turn signals. ² With available moonroof. ³ 18.6-degrees for Outback, Outback Premium and Outback Onyx Edition XT models. 18.4-degrees for Limited, Touring, Limited XT and Touring XT models.

Some images shown are for illustration purposes only. Specifications and imagery in this brochure are based on the latest product information available at the time of publication. Production models may vary. For the most up-to-date and detailed product information, log on to www.subaru.com. Some equipment shown in photography in this brochure is optional at extra cost. Specific options may be available only in combination with other options. Specific combinations of equipment or features may vary from time to time and by geographic area. Certain accessories and equipment may not be available at the time of publication. Subaru of America, Inc., reserves the right to change or discontinue at any time, without notice, prices, colors, materials, equipment, accessories, specifications, models and packages without incurring any obligation to make the same or similar changes on vehicles previously sold. Colors shown may vary due to reproduction and printing processes.

This brochure was prepared by Subaru of America, Inc. A warranty from Subaru of America, Inc., is available only on cars sold to the first retail purchaser through an authorized Subaru retailer in the continental U.S. or Alaska. Every owner of the car during the warranty period shall be entitled to the benefit of these warranties. Subaru, SUBARU BOXER, Lineartronic, X-MODE, STARLINK, and EyeSight are registered trademarks of SUBARU CORPORATION. Outback and Added Security are registered trademarks of Subaru of America, Inc. DriverFocus and StarTex are trademarks of Subaru of America Inc. Android Auto™ is a trademark of Google LLC. Apple CarPlay® and iPod® are registered trademarks of Apple Inc. Bluetooth® is a registered trademark of Bluetooth SIG, Inc. Harman Kardon® is a registered trademark of Harman International Industries, Inc. HD Radio® is a registered trademark of iBiquity Digital Corporation. HomeLink® and the HomeLink house icon are registered trademarks of Gentex Corporation. Rockford Fosgate® is a registered trademark of Rockford Corp. SiriusXM® and Travel Link® are registered trademarks of SiriusXM Radio Inc. Thule® is a registered trademark of the Thule Group. For more information, contact your Subaru retailer, or log on to www.subaru.com.

2020 Outback | Colors

Paint



Upholstery




Color Combinations

	Outback	Outback Premium	Outback Onyx Edition XT	Outback Limited/Limited XT	Outback Touring/Touring XT
Crystal White Pearl	SBC	SBC or TGC	GST	SBL or WIL	JNL
Ice Silver Metallic	SBC	SBC or TGC	GST	SBL or TGL	—
Tungsten Metallic	—	WIC	—	WIL	—
Abyss Blue Pearl	SBC	SBC or TGC	GST	SBL or TGL	JNL
Autumn Green Metallic	—	SBC or WIC	GST	SBL or WIL	JNL
Crimson Red Pearl	—	SBC	—	SBL	—
Cinnamon Brown Pearl	—	—	—	SBL	JNL
Magnetite Gray Metallic	SBC	SBC or TGC	GST	SBL or TGL	JNL
Crystal Black Silica	SBC	SBC or TGC	GST	SBL or WIL	JNL

— Not available

See the Outback in Action

Visit our YouTube channel to see Outback walkaround videos, feature highlights, model reviews and much more.

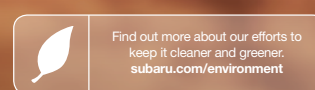
 youtube.com/subaru



These brochures were printed with vegetable-based inks and produced using a "Green Printing Process." The Forest Stewardship Council® (FSC®) is an international organization that brings people together to find solutions which promote responsible stewardship of the world's forests and environments.

By producing these brochures in a green way rather than by traditional methods, we saved 66 trees preserved for the future; 15,000 gallons of wastewater flow saved; 300 lbs solid waste not generated; 37,000 lbs net greenhouse gases prevented; 30,000,000 BTUs energy not consumed. Calculations provided by Environmental Paper Network. FSC® is not responsible for any calculations on saving resources by choosing this paper.

This brochure is printed in the U.S.A. on 10% recycled paper. ©2019 Subaru of America, Inc. 20.OBKSRB.525 (DSGN-P339, 130K, 8/19, CG)



Love. It's what makes Subaru, Subaru.

