

# TRIPLE THREAT.

From its three-dimensional kidney grille and hexagonal fog lights to its finely balanced proportions, the all-new BMW X3 xDrive 30i strikes a pose that immediately defines its character: stylish, aggressive and confident. Propelled by an agile TwinPower Turbo engine, it will satisfy your yearning for elegance and quench your thirst for adventure.



## BMW X3 xDRIVE30i

[EXTERIOR COLORS](#)

[UPHOLSTERY](#)

[INTERIOR TRIMS](#)

[WHEELS / TIRES](#)

[PACKAGES](#)

[TECHNICAL DATA](#)





## MISSION CONTROL.

Precise hexagonal forms and sloping edges dominate the luxurious, ergonomic cabin. Inside, you'll find a full-color Head-up Display, 10 1/4-inch touchscreen and BMW Gesture Control technology, complemented by distinctive contour lighting for a relaxing driving ambiance.

Not all features are available on all models. Get the latest information on standard and optional features, packages and technical specifications. Visit [bmwusa.com](http://bmwusa.com) and select the BMW model of your choice.





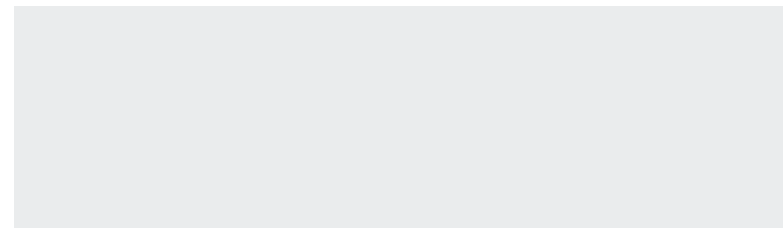
## **RUBBER. MEET THE BACK ROAD.**

With dynamic handling and near-perfect 50/50 weight distribution, you're in complete command when you go off the beaten path. The xDrive system is networked with the Dynamic Stability Control (DSC) so that the power to all four wheels can constantly adjust to road surfaces.

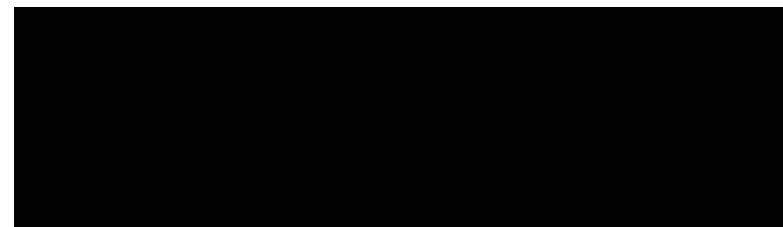


# BMW X3 30i EXTERIOR COLORS

## NON METALLIC

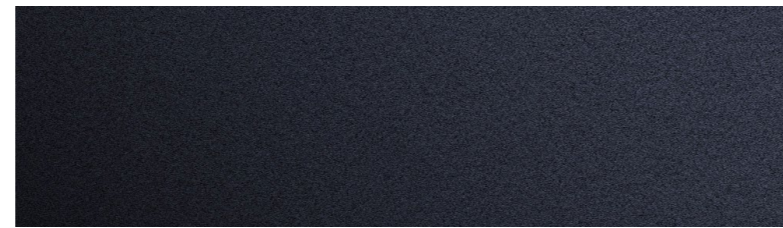


**300**  
Alpine White (NonMetallic)

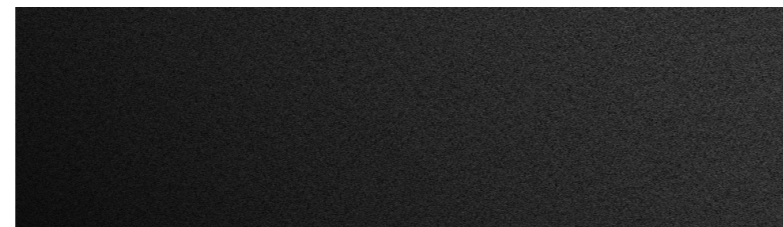


**668**  
Jet Black (NonMetallic)

## METALLIC



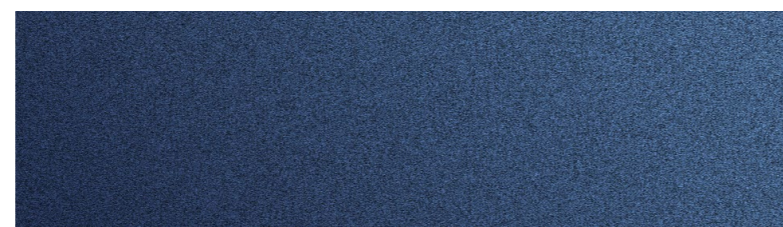
**416**  
Carbon Black Metallic



**475**  
Black Sapphire Metallic



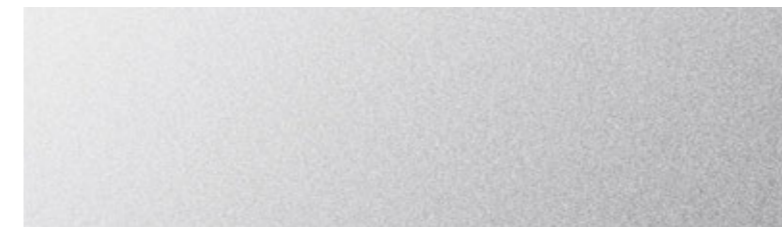
**C07**  
Dark Olive Metallic



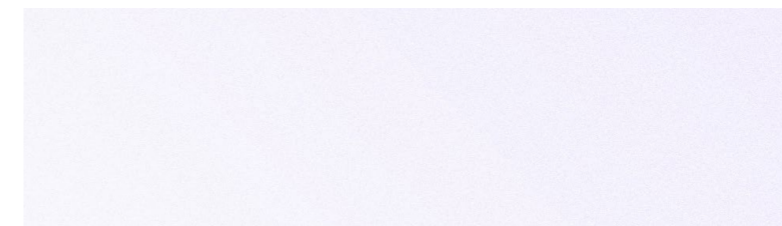
**C1M**  
Phytonic Blue Metallic



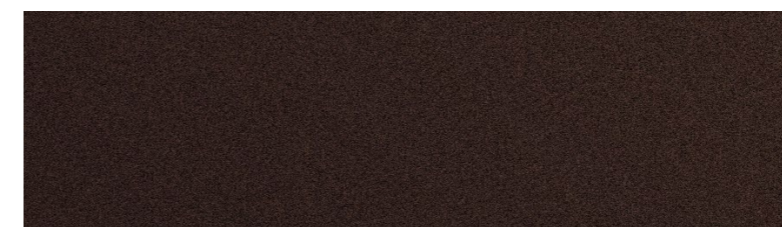
**A90**  
Dark Graphite Metallic



**A83**  
Glacier Silver Metallic



**A96**  
Mineral White Metallic

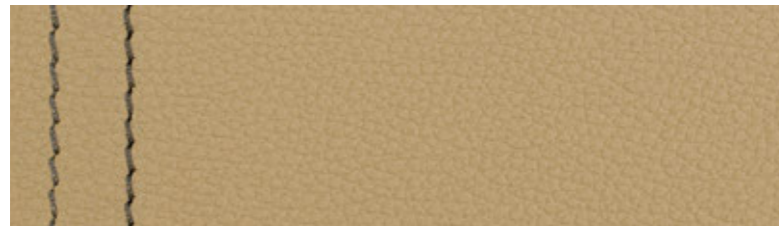


**C1L**  
Terra Brown Metallic



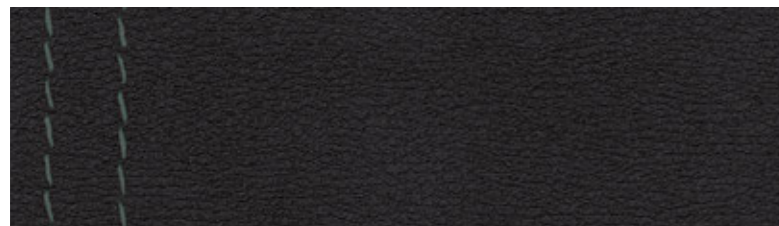
# BMW X3 30i UPHOLSTERY

## SENSATEC



### K8FY

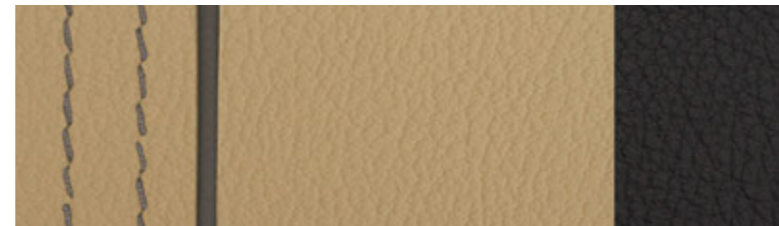
Canberra Beige / Black SensaTec



### K8SW

Black SensaTec with Contrast Stitching

## VERNASCA LEATHER



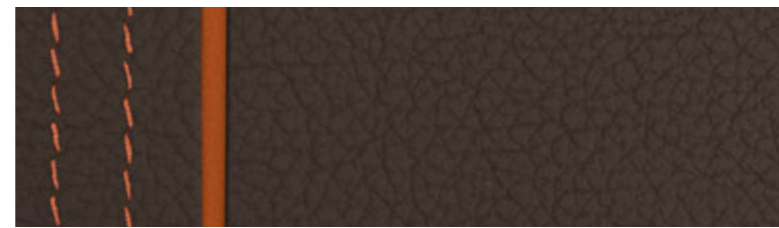
### MAFO

Canberra Beige/Black Vernasca Leather with contrast stitching & piping



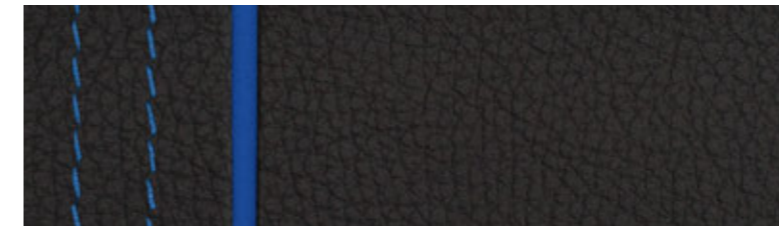
### MAH7

Black Vernasca Leather with contrast stitching & piping



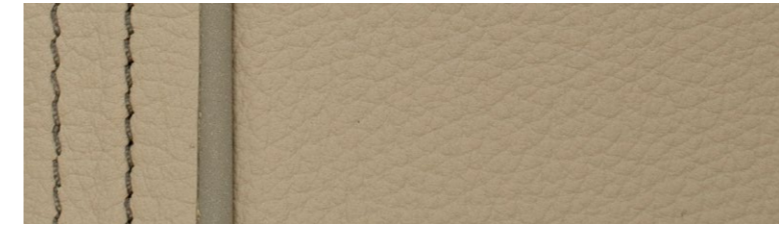
### MAMU

Mocha Vernasca Leather with contrast stitching & piping



### MANL

Black Vernasca Leather with Blue contrast stitching & piping



### MAOQ

Oyster Vernasca Leather with contrast stitching & piping



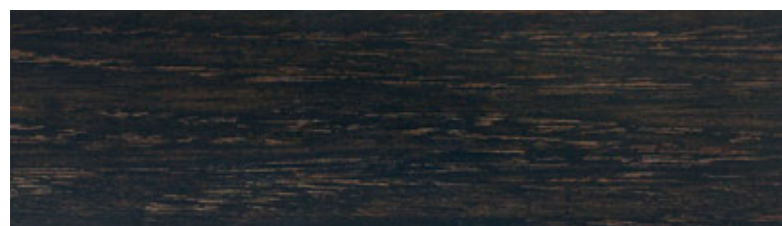
### MAPQ

Cognac Vernasca Leather with contrast stitching & piping

Leather: Leather on all seating surfaces; other components may be Leather or SensaTec.

# BMW X3 30i INTERIOR TRIMS

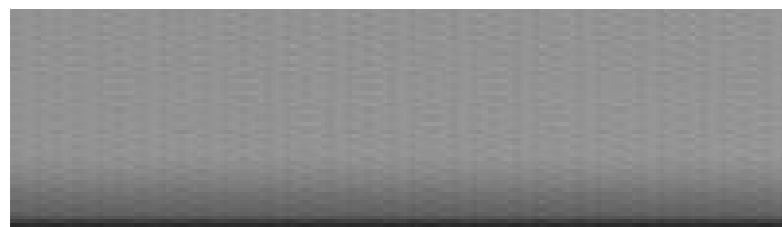
## INTERIOR TRIMS



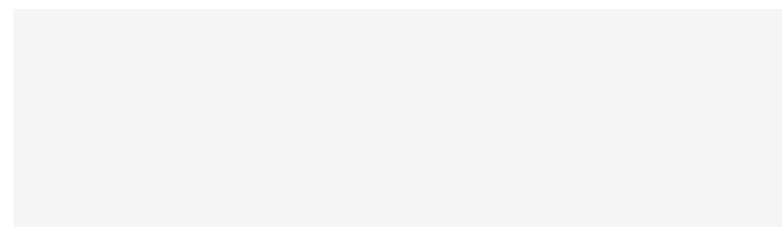
**4K1**  
Dark Oak Wood Trim



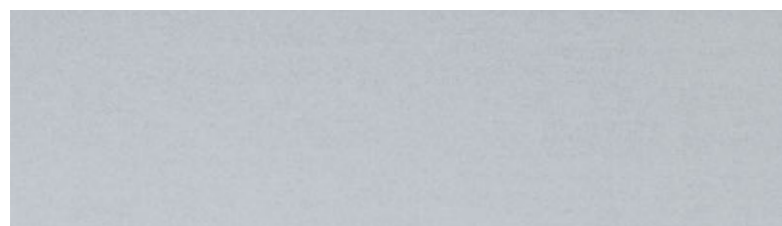
**4LH**  
Fineline Cove Matte Finish Wood Trim



**4K7**  
Aluminum Rhombicle Interior Trim



**4LQ**  
Gray Poplar Wood Trim



**4K9**  
Aluminum Interior Trim

# BMW X3 30i WHEELS / TIRES



**18" Y-spoke wheels, style 688**

18 x 7.0 front and rear; and 225/60 run-flat<sup>1</sup> all-season tires<sup>2</sup>



**19" V-spoke wheels, style 692**

19 x 7.5 front and rear; and 245/50 run-flat<sup>1</sup> all-season tires<sup>2</sup>

---

19 x 7.5 front and rear; and 245/50 non-run-flat all-season tires<sup>2</sup>



**19" M Double-spoke bi-color wheels, style 698M**

19 x 7.5 front and rear; and 245/50 run-flat<sup>1</sup> performance tires<sup>2,3</sup>

---

19 x 7.5 front and rear; and 245/50 run-flat<sup>1</sup> all-season tires<sup>2</sup>



**20" M Double-spoke bi-color wheels, style 699M**

20 x 8.0 front, 20 x 9.5 rear; and 245/45 front and 275/40 rear run-flat<sup>1</sup> performance tires<sup>2,3</sup>

<sup>1</sup> Run-flat tires do not come equipped with a spare wheel and tire; non-run-flat tires come equipped with a Mobility Kit.

<sup>2</sup> Driving over rough or damaged road surfaces, as well as debris, curbs and other obstacles, can cause serious damage to wheels, tires and suspension parts. This is more likely to occur with low-profile tires, which provide less cushioning between the wheel and the road. Be careful to avoid road hazards and reduce your speed, especially if your vehicle is equipped with low-profile tires.

<sup>3</sup> Performance tires are not recommended for driving in ice and snow conditions.

Wheels and tire specifications are subject to change. Get the latest information on standard and optional features, packages and technical specifications. Visit [bmwusa.com](http://bmwusa.com) and select the BMW model of your choice.



# BMW X3 30i PACKAGES

## CONVENIENCE PACKAGE

Comfort Access keyless entry  
Panoramic moonroof  
Lumbar support  
Adaptive LED Headlights with Cornering Lights  
SiriusXM Satellite Radio with 1-year All Access Subscription

## DRIVING ASSISTANCE PACKAGE

Active Driving Assistant<sup>1</sup>  
Active Blind Spot Detection  
Lane Departure Warning<sup>2</sup>

## DYNAMIC HANDLING PACKAGE

Dynamic Damper Control  
M Sport Brakes  
Performance Control  
Variable sport steering

## PARKING ASSISTANCE PACKAGE

Parking Assistant Plus  
Active Park Distance Control  
Surround View w/ 3-D View  
Rear view camera

## M SPORT PACKAGE

Standard suspension (option available)  
Dynamic Damper Control (optional)  
Dynamic Handling Package (optional)  
19" M Double-spoke bi-color wheels, style 698M (options available)  
Comfort Access keyless entry  
High-gloss roof rails (option available)  
Lumbar support  
SensaTec dashboard  
Aluminum Rhombicle Interior trim (options available)  
Adaptive Full LED Headlights  
SiriusXM Satellite Radio with 1-year All Access Subscription  
M steering wheel (xDrive)  
Sport leather steering wheel (sDrive)  
Aerodynamic kit  
Shadowline exterior trim  
Panoramic moonroof (option available)

## LUXURY PACKAGE

SensaTec Dashboard  
Extended Ambient Lighting  
Vernasca Leather  
Luxury Line design elements

## DRIVING ASSISTANCE PLUS PACKAGE

ACC Stop & Go + Active Driving Assistant<sup>1</sup>

## EXECUTIVE PACKAGE

Adaptive Full LED Headlights  
Automatic High Beams  
Parking Assistant Plus  
Gesture Control  
12.3" Dynamic Digital Instrument Cluster  
Active Park Distance Control  
Surround View w/ 3-D View  
Vernasca Leather

## PREMIUM PACKAGE

Heated Steering Wheel  
19-inch V Spoke wheels (Style 692)  
Heated front seats  
Heated rear seats  
Navigation system  
Head-up Display  
Advanced Real-Time Traffic Information  
Remote Services  
Apple CarPlay Compatibility with 1 Year Trial

<sup>1</sup> Active Driving Assistant is not a substitute for the driver's own responsibility in maintaining safe control of the vehicle. Part of Active Driving Assistant, Lane Departure Warning requires clearly definable lane markings that are not obscured by rain, snow, etc.

<sup>2</sup> Requires clearly definable lane markings that are not obscured by rain, snow, etc. Lane Departure Warning feature is not a substitute for the driver's own responsibility in maintaining safe control of the vehicle.

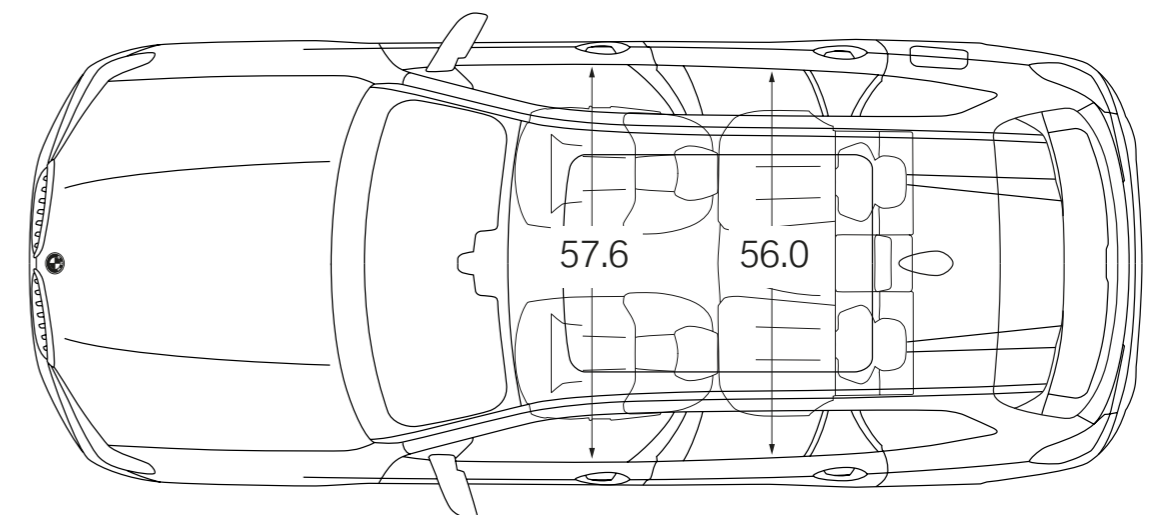
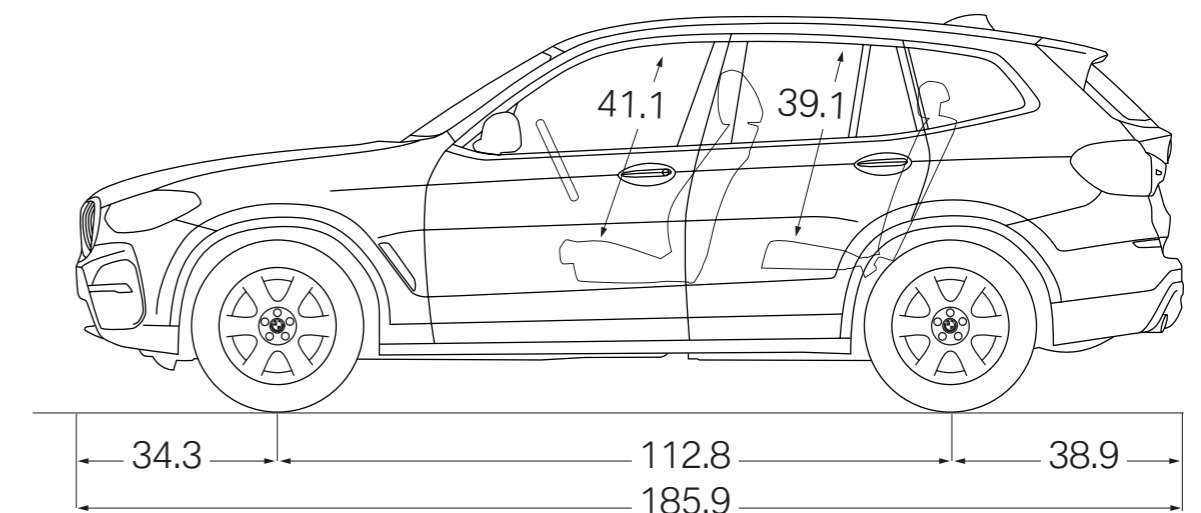
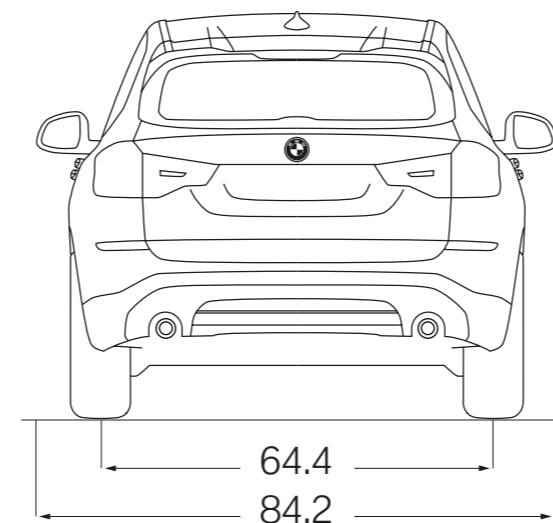
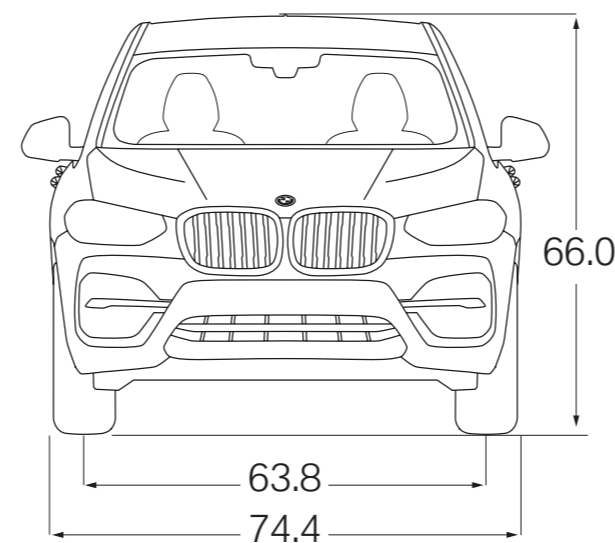
Get the latest information on standard and optional features, packages and technical specifications. Visit [bmwusa.com](http://bmwusa.com) and select the BMW model of your choice.



# BMW X3 30i TECHNICAL DATA



	X3 sDrive30i	X3 xDrive30i
ENGINE	2.0-liter TwinPower Turbo inline 4-cylinder	
OUTPUT @ RPM	248 hp @ 5200-6500 / 258 @ 1450-4800	
0-60 MPH (sec) <sup>1</sup>	6.0	
CITY / HIGHWAY / COMBINED MPG <sup>2</sup>	23 / 30 / 26	22 / 29 / 25



All dimensions shown in inches.

<sup>1</sup>BMW AG preliminary test results. Actual acceleration results may vary, depending on specification of vehicle; road and environmental conditions; testing procedures and driving style. These results should be used for comparison only and verification should not be attempted on public roads. BMW urges you to obey all posted speed laws and always wear safety belts.

<sup>2</sup>EPA-estimated figures are for comparison purposes only. Please go to [bmwusa.com](http://bmwusa.com) for the most up-to-date fuel consumption information.

Your actual mileage will vary, depending on speed, driving habits, trip length and driving conditions; actual mileage may be lower.

Figures subject to change. Please visit your BMW Center for the most up-to-date information. Get the latest information on standard and optional features, packages and technical specifications. Visit [bmwusa.com](http://bmwusa.com) and select the BMW model of your choice.





## **ACTION PACKED.**

The first-ever M Performance model in the X3 lineup, the BMW X3 M40i delivers sharper dynamics and new standards of acceleration to speed up your heart rate. Its 8-speed STEPTRONIC Sport automatic transmission with Launch Control is a perfect match for the brute force of its 355 hp personality and for your expectations of ultimate performance on any terrain.

# **BMW X3 M40i**

[EXTERIOR COLORS](#)

[UPHOLSTERY](#)

[INTERIOR TRIMS](#)

[WHEELS / TIRES](#)

[PACKAGES](#)

[TECHNICAL DATA](#)





## INNER SANCTUM.

Master any road condition in an ergonomically optimized cockpit that immerses you in rich materials and finishes. Standard sport seats, automatic 3-zone climate control with separate temperature and air-distribution functions and rear seatbacks with adjustable reclining set a standard of excellence for driving comfort and convenience.





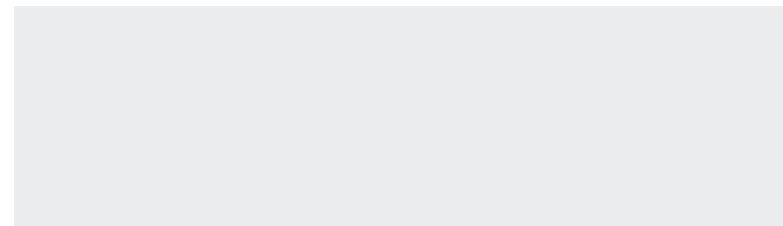
## **IGNITE YOUR SENSES.**

Featuring a valve-controlled M Sport exhaust system, M Sport Brakes, M Sport suspension with M Performance-specific tuning and Variable sport steering, the BMW X3 M40i produces exceptional agility and traction, no matter where you roam.



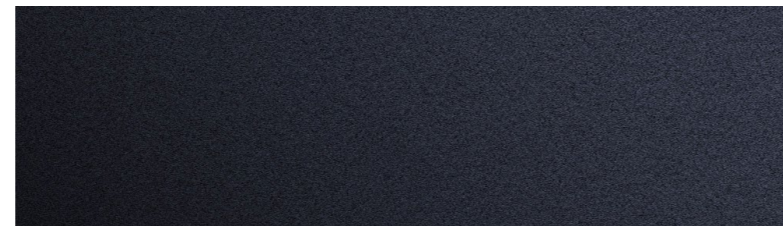
# BMW X3 M40i EXTERIOR COLORS

## NON METALLIC

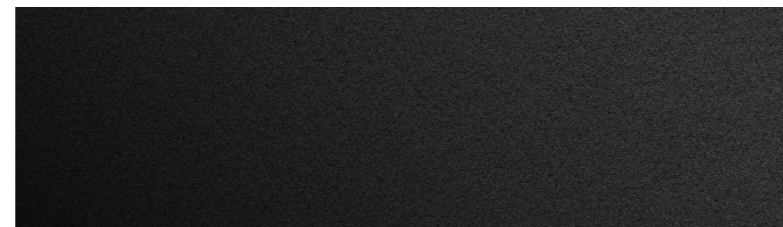


**300**  
Alpine White (NonMetallic)

## METALLIC



**416**  
Carbon Black Metallic



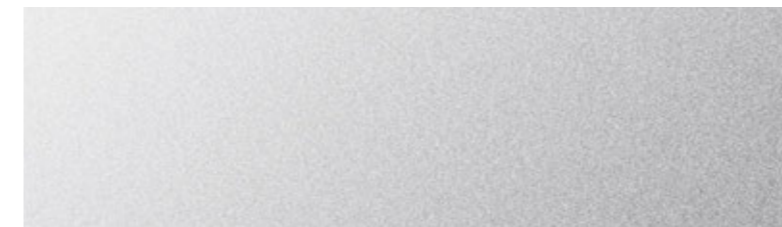
**475**  
Black Sapphire Metallic



**C1M**  
Phytonic Blue Metallic



**A90**  
Dark Graphite Metallic

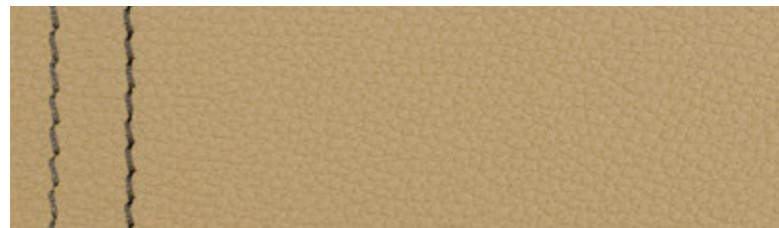


**A83**  
Glacier Silver Metallic

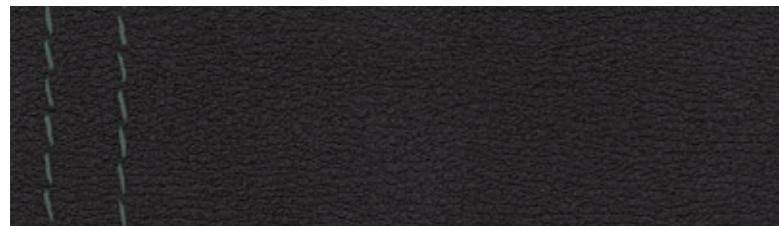


# BMW X3 M40i UPHOLSTERY

## SENSATEC

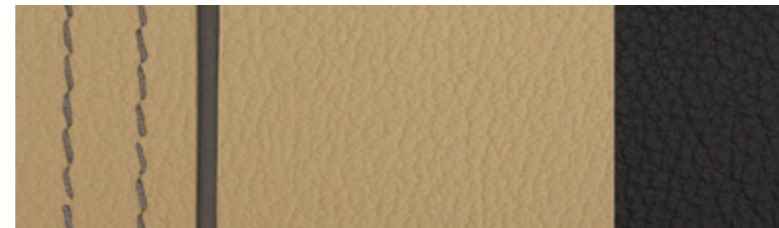


**K8FY**  
Canberra Beige / Black SensaTec

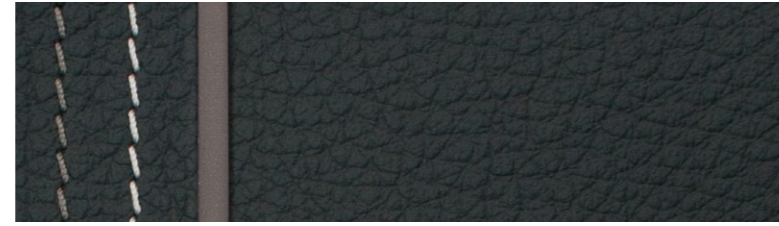


**K8SW**  
Black SensaTec with Contrast Stitching

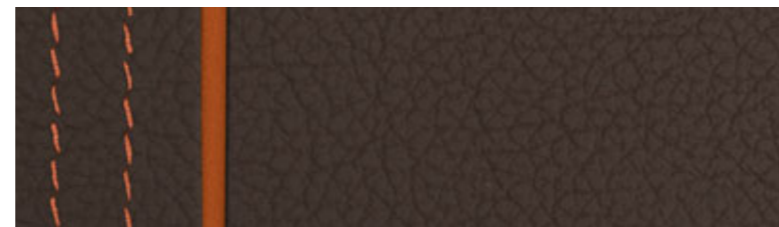
## VERNASCA LEATHER



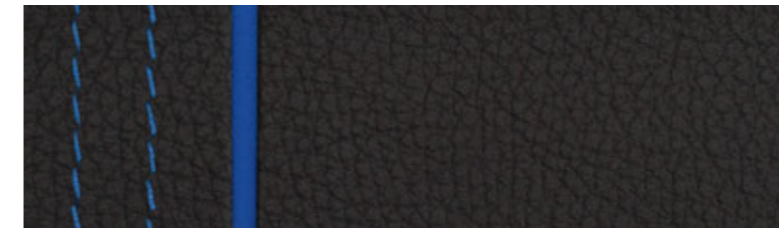
**MAFO**  
Canberra Beige/Black Vernasca Leather  
with contrast stitching & piping



**MAH7**  
Black Vernasca Leather  
with contrast stitching & piping



**MAMU**  
Mocha Vernasca Leather  
with contrast stitching & piping



**MANL**  
Black Vernasca Leather  
with Blue contrast stitching & piping



**MAOQ**  
Oyster Vernasca Leather  
with contrast stitching & piping



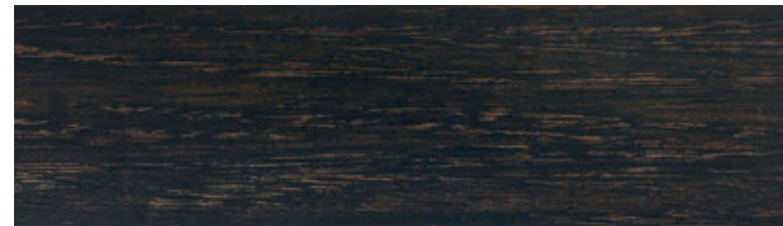
**MAPQ**  
Cognac Vernasca Leather  
with contrast stitching & piping

Leather: Leather on all seating surfaces; other components may be Leather or SensaTec.



# BMW X3 M40i INTERIOR TRIMS

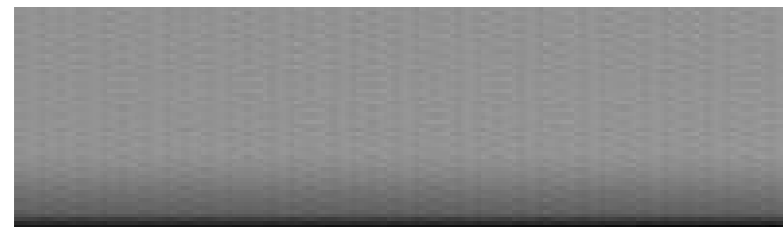
## INTERIOR TRIMS



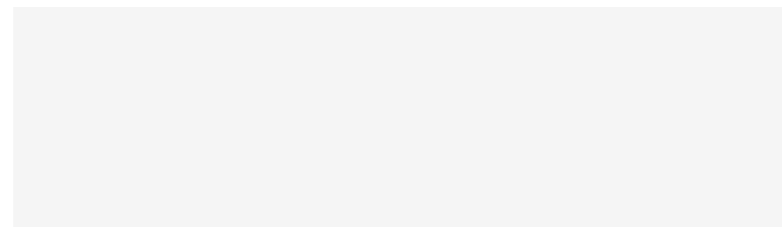
**4K1**  
Dark Oak Wood Trim



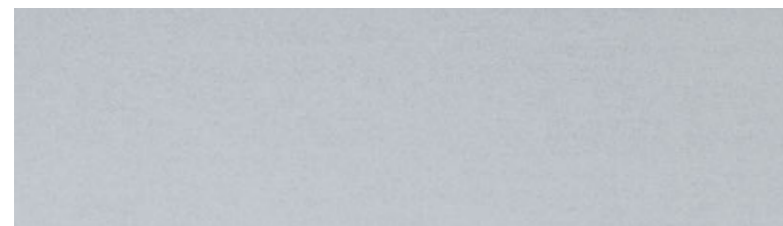
**4LH**  
Fineline Cove Matte Finish Wood Trim



**4K7**  
Aluminum Rhombicle Interior Trim



**4LQ**  
Gray Poplar Wood Trim



**4K9**  
Aluminum Interior Trim



# BMW X3 M40i WHEELS / TIRES



**19" M Double-spoke bi-color wheels, style 698M**

19 x 7.5 front and rear; and 245/50 front and rear run-flat performance tires<sup>2,3</sup>

19 x 7.5 front and rear; and 245/50 front and rear run-flat all-season tires<sup>2,3</sup>



**20" M Double-spoke bi-color wheels, style 699M**

20 x 8.0 front, 20 x 9.5 rear and; 245/45 front and 275/40 rear run-flat performance tires<sup>2,3</sup>



**21" M Double-spoke Cerium Grey wheels, style 718M**

21 x 8.5 front, 21 x 9.5 rear and; 245/40 front and 275/35 rear run-flat performance tires<sup>2,3</sup>

<sup>1</sup> Run-flat tires do not come equipped with a spare wheel and tire; non-run-flat tires come equipped with a Mobility Kit.

<sup>2</sup> Driving over rough or damaged road surfaces, as well as debris, curbs and other obstacles, can cause serious damage to wheels, tires and suspension parts. This is more likely to occur with low-profile tires, which provide less cushioning between the wheel and the road. Be careful to avoid road hazards and reduce your speed, especially if your vehicle is equipped with low-profile tires.

<sup>3</sup> Performance tires are not recommended for driving in ice and snow conditions.

Wheels and tire specifications are subject to change. Get the latest information on standard and optional features, packages and technical specifications. Visit [bmwusa.com](http://bmwusa.com) and select the BMW model of your choice.



# BMW X3 M40i PACKAGES

## DRIVING ASSISTANCE PACKAGE

Active Driving Assistant<sup>1</sup>  
Active Blind Spot Detection  
Lane Departure Warning

## PARKING ASSISTANCE PACKAGE

Parking Assistant Plus  
Active Park Distance Control  
Surround View w/ 3D View

## PREMIUM PACKAGE

Heated Steering Wheel  
Heated front seats  
Front And Rear Heated Seats  
Navigation system  
Head-up Display  
Advanced Real-Time Traffic Information  
Remote Services  
Apple CarPlay Compatibility with 1 Year Trial

## EXECUTIVE PACKAGE

Parking Assistant Plus  
Gesture Control  
Dynamic Digital Instrument Cluster  
Active Park Distance Control  
Surround View w/ 3D View  
Vernasca Leather

## DRIVING ASSISTANCE PLUS PACKAGE

ACC Stop & Go + Active Driving Assistant<sup>1</sup>

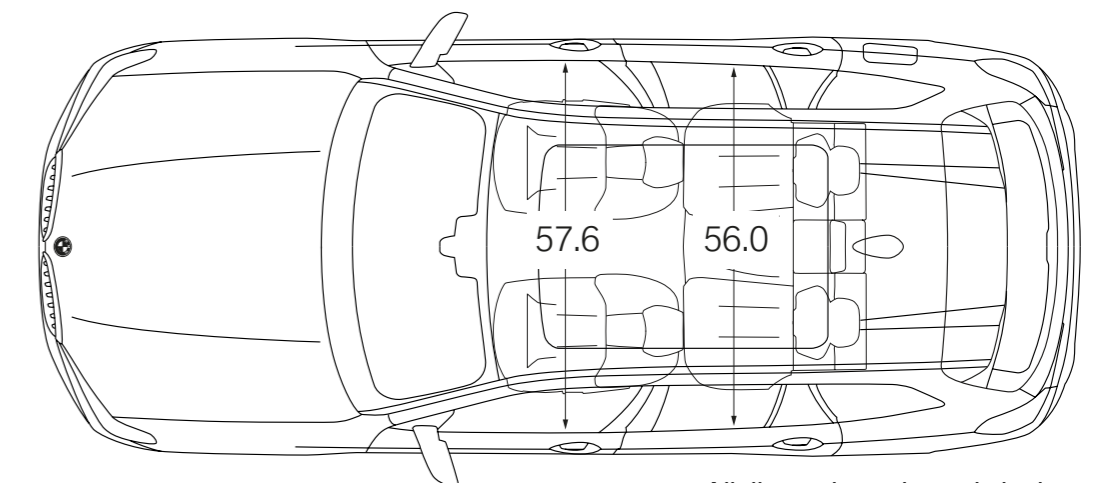
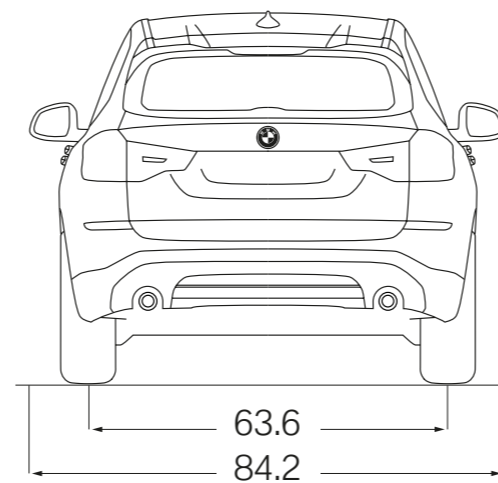
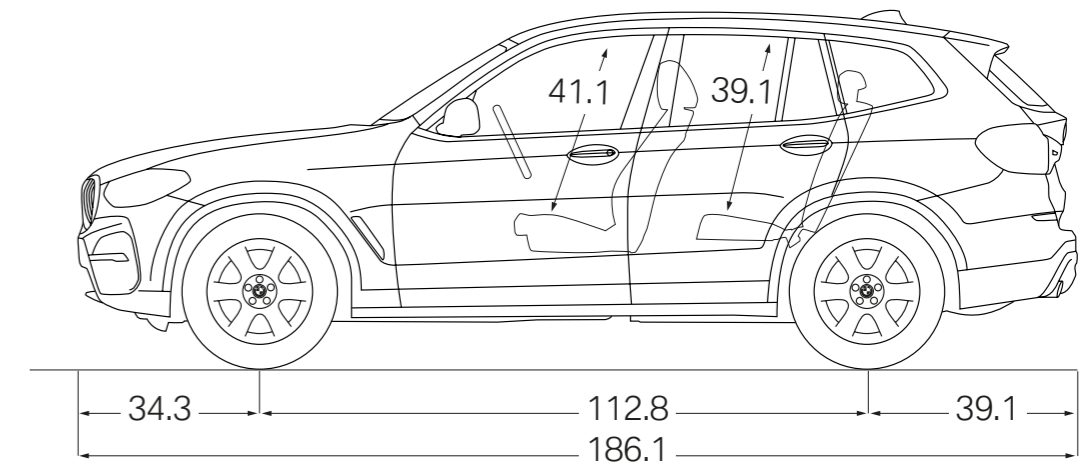
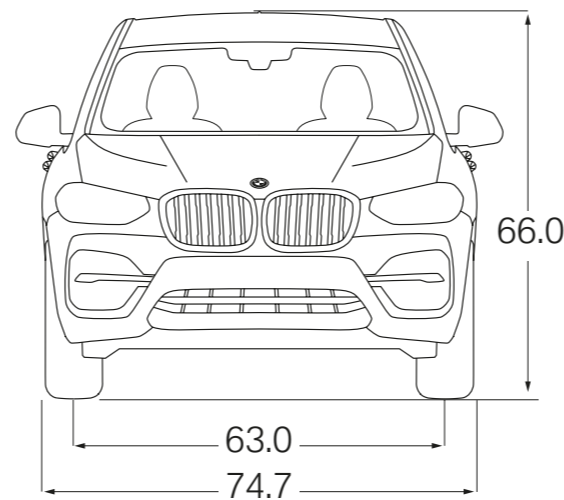
<sup>1</sup> Active Driving Assistant is not a substitute for the driver's own responsibility in maintaining safe control of the vehicle. Part of Active Driving Assistant, Lane Departure Warning requires clearly definable lane markings that are not obscured by rain, snow, etc.



# BMW X3 M40i TECHNICAL DATA



	X3 M40i
ENGINE	3.0-liter M Performance TwinPower Turbo inline 6-cylinder
OUTPUT @ RPM	355 hp @ 5500-6500 / 365 lb-ft @ 1520-4800
0-60 MPH (sec) <sup>1</sup>	4.6
CITY / HIGHWAY / COMBINED MPG <sup>2</sup>	20 / 27 / 23



All dimensions shown in inches.

<sup>1</sup>BMW AG preliminary test results. Actual acceleration results may vary, depending on specification of vehicle; road and environmental conditions; testing procedures and driving style. These results should be used for comparison only and verification should not be attempted on public roads. BMW urges you to obey all posted speed laws and always wear safety belts.

<sup>2</sup>EPA-estimated figures are for comparison purposes only. Please go to [bmwusa.com](http://bmwusa.com) for the most up-to-date fuel consumption information.

Your actual mileage will vary, depending on speed, driving habits, trip length and driving conditions; actual mileage may be lower.

Figures subject to change. Please visit your BMW Center for the most up-to-date information. Get the latest information on standard and optional features, packages and technical specifications.

Visit [bmwusa.com](http://bmwusa.com) and select the BMW model of your choice.